

Vacuum/pressure switch cube shape

VS-V-W-D PNP K 3C-D

Part no.:10.06.02.00678

<https://www.schmalz.com/10.06.02.00678>

Home > Vacuum Technology for Automation > Vacuum Components > Switches and System Monitoring > Electronic Vacuum and Pressure Switches > Vacuum and Pressure Switches VS-V/P-W-D-K-3C-D > VS-V-W-D PNP K 3C-D

Vacuum/pressure switch in cube shape with display and digital output signals



Measuring range: -1,0 ... 0,0 bar

Measuring range: -1...0bar

Shape: Cube, digital display

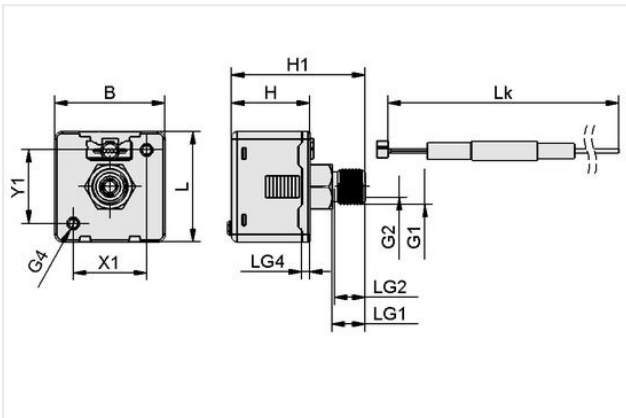
Construction shape vacuum switch: Switches to +

Electrical connection: Cable

Inputs/outputs: 2 digital

Display: Display 3-color / 2-line

Design Data



Attribute	Value
B	30 mm
G1	G1/8"-M
G2	M5-F
G4	M3-F
H	21.30 mm
H1	36.30 mm
L	30 mm
LG1	9 mm
LG2	10 mm
LG4	4.50 mm
X1	20 mm
Y1	20 mm

Technical Data

Attribute	Value
Measured medium	Non-aggressive gases; dry, oil-free air
Measuring range	-1,0 ... 0,0 bar
Overpressure resistance	5 bar
Hysteresis	Adjustable: 0 to 100% of set value or comparator mode
Inputs/outputs	2 digital
Switching capacity (max)	100 mA

Contact Schmalz

J. Schmalz GmbH | Johannes-Schmalz-Str.1, 72293 Glatten, Germany | +49 7443 2403-102 | customercenter@schmalz.de

Vacuum/pressure switch cube shape

VS-V-W-D PNP K 3C-D

Part no...:10.06.02.00678

<https://www.schmalz.com/10.06.02.00678>

Electrical connection	Cable
Voltage	12-24V DC
Current consumption	30 mA
Protection type IP	IP 40
Operating temperature	0 ... 50 °C
Weight	73 g
Product family	VS-V-W-D-K

Accessories



BEF-WIN 20x43.5x29.5 1.5

Part no...:10.06.02.00685

Width B: 20 mm

Height H: 43.5 mm

Length L: 29.5 mm

Wall thickness s: 1.5 mm



BEF-WIN 30x43.5x29.5 1.5

Part no...:10.06.02.00686

Width B: 30 mm

Height H: 43.5 mm

Length L: 29.5 mm

Wall thickness s: 1.5 mm

Vacuum/pressure switch cube shape

VS-V-W-D PNP K 3C-D

Part no...:10.06.02.00678

<https://www.schmalz.com/10.06.02.00678>



EINB-RAx8.5x30 VS

Part no...:10.06.02.00427

Width B: 8.5 mm

Height H: 30 mm

Construction use: Vacuum switch